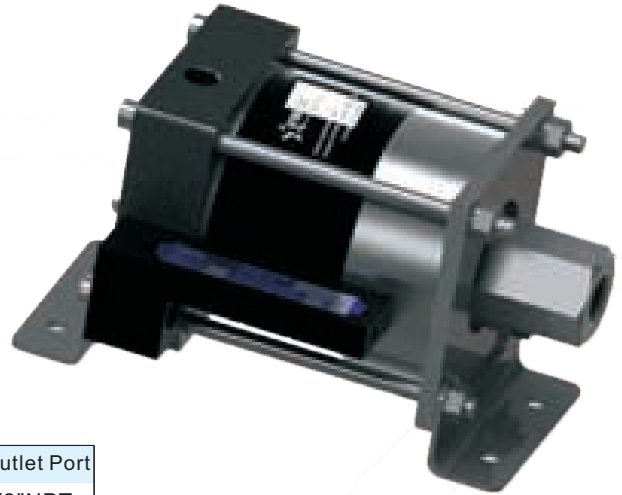


Single Drive Single Acting

Features

- ★ Choice of 9 ratios.
- ★ Flows to 13.6 l/min.
- ★ Choice of wetted materials .
- ★ Pressures to 25,000 psi(1723 bar).
- ★ All Hydraulic fluids, water(plain or DI), solvents, mild chemicals, liquefied gases.



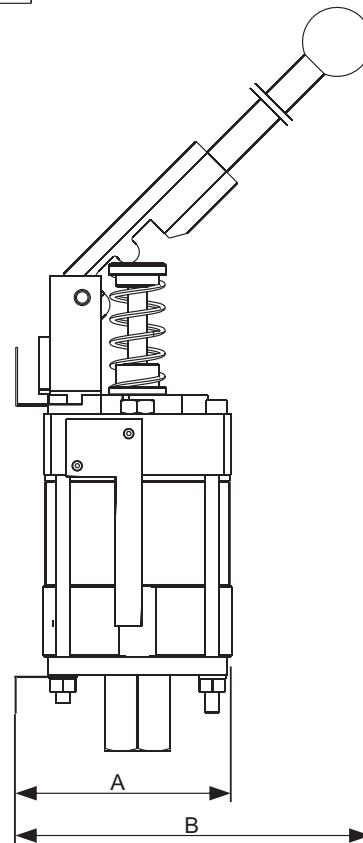
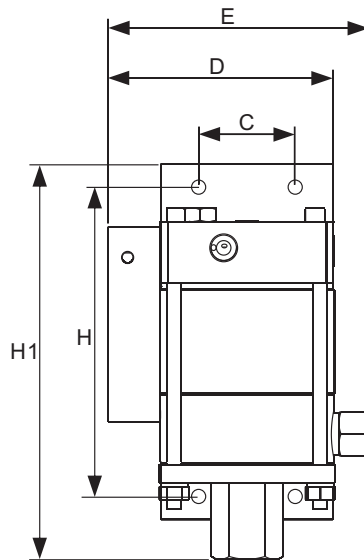
Performance and Specification

Pump Model Code	Max.Out Press.	Dis. /Cycle	Max.Flow	Inlet Port	Outlet Port
AHP03-1S-5	625psi	13.6ml	8.30l/min	1"NPT	1/2"NPT
AHP03-1S-7	900psi	9.8ml	6.0l/min	3/4"NPT	1/2"NPT
AHP03-1S-12	1500psi	5.9ml	3.83l/min	3/4"NPT	1/2"NPT
AHP03-1S-21	2600psi	3.3ml	2.13l/min	3/8"NPT	1/4"NPT
AHP03-1S-36	4500psi	2.0ml	1.28l/min	3/8"NPT	1/4"NPT
AHP03-1S-71	8800psi	1.0ml	0.64l/min	3/8"NPT	1/4"NPT
AHP03-1S-110	13500psi	0.6ml	0.42l/min	3/8"NPT	1/4"NPT
AHP03-1S-188	15000psi	0.4ml	0.29l/min	3/8"NPT	1/4"HF
AHP03-1S-220	25000psi	0.34ml	0.22l/min	3/8"NPT	1/4"HF

HF means female high pressure connection.

Dimensions

Size A	3.82in.(97mm)
Size B	10in.(254mm)
Size C	1.65in.(42mm)
Size D	4.13in.(105mm)
Size E	4.72in.(120mm)
Size H	5.71in.(145mm)
Size H1	6.89in.(175mm)



EXPLAIN

1. All model code listed are standard.
 For pumps with handle add "-H" after the model codes.
 For Pumps with relief valve add "-R" after the model codes.
 For pumps with Viton seals add "-V" after the model codes.
 For pumps with Pressure switch valve add "-P" after the model codes.
 For cold area service add "-C" after the model codes.

2. Other sizes, materials and types are available upon request. For special requirements, please contact us.

Performance Curves

