

Long Stroke Single Drive Double Acting Features

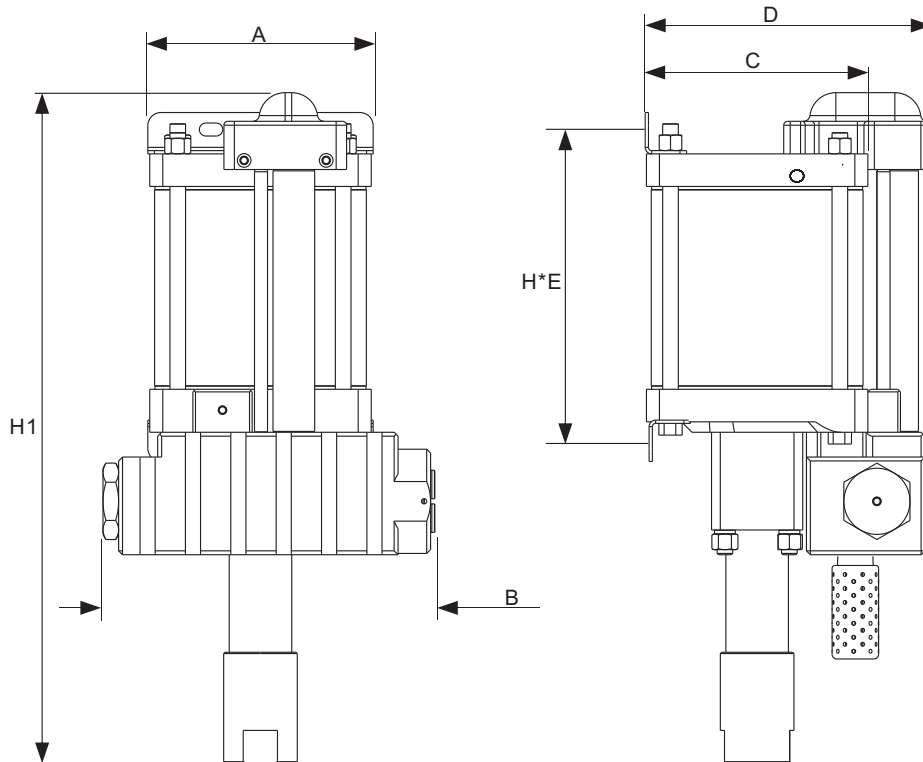
- ★ Choice of 4 ratios.
- ★ Flows to 82.1 l/min.
- ★ Choice of wetted materials .
- ★ Output pressures to 100,00 psi (690 bar).
- ★ Drive pressure 3 to 125 psi (0.2 to 8.6 bar).
- ★ All hydraulic fluids,water (plain or DI),solvents.



Performance and Specification

| Pump Model Code | Max.Out Press. | Dis. /Cycle | Max.Flow | Inlet Port | Outlet Port |
|-----------------|----------------|-------------|-----------|------------|-------------|
| AHP06-1D-12L | 1850psi | 260ml | 82.1l/min | 1-1/4"NPT | 3/4"NPT |
| AHP06-1D-35L | 4375psi | 98ml | 31l/min | 1-1/4"NPT | 1/2"NPT |
| AHP06-1D-60L | 7500psi | 57ml | 18.1l/min | 1-1/4"NPT | 1/2"NPT |
| AHP06-1D-100L | 10000psi | 34ml | 10.8l/min | 1-1/4"NPT | 1/2"NPT |

Dimensions



| | | | |
|--------|----------------|---------|-----------------|
| Size A | 6.81in.(173mm) | Size H | 9.57in.(243mm) |
| Size B | 10in.(254mm) | Size H1 | 19.69in.(500mm) |
| Size C | 6.73in.(171mm) | Size D | 8.66in.(220mm) |
| Size E | 3in.(76.2mm) | | |

EXPLAIN

1. All model code listed are standard.

For pumps with relief valve add "-R" after the model codes.

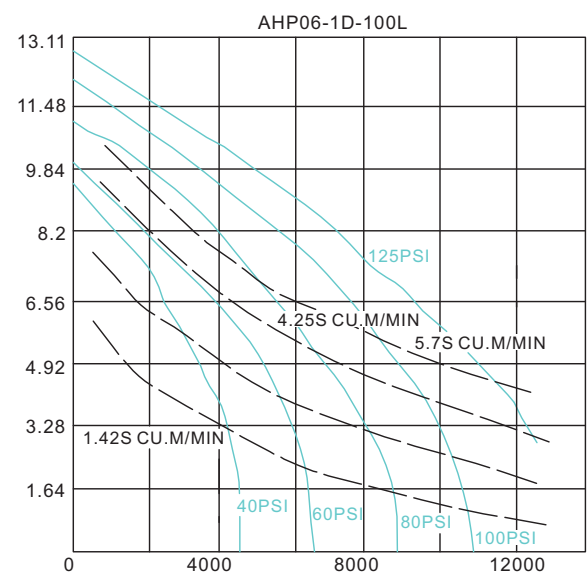
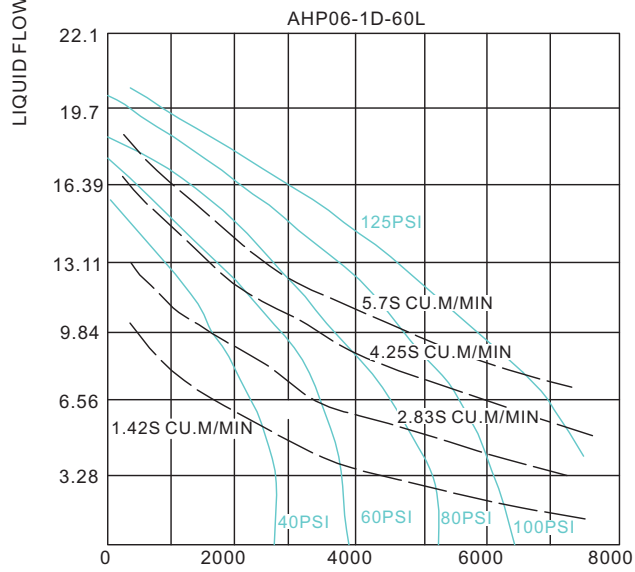
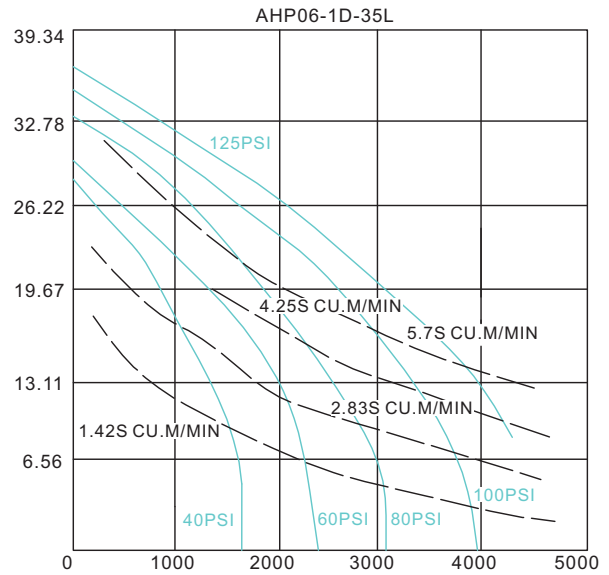
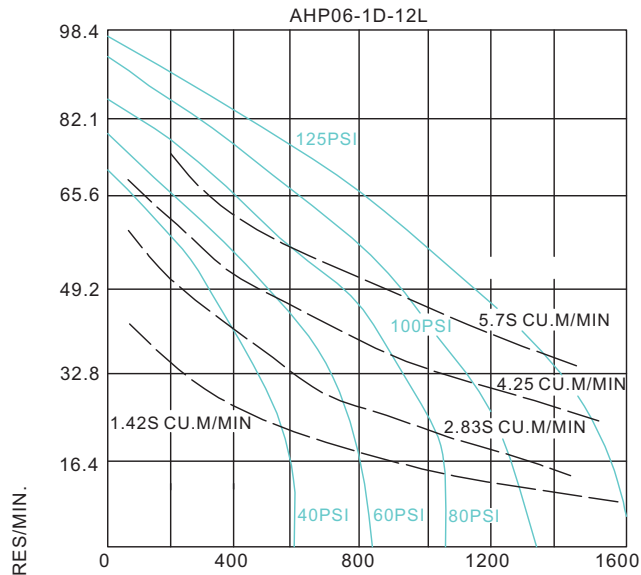
For pumps with Viton seals add "-V" after the model codes.

For pumps with Pressure switch valve add "-P" after the model codes.

For cold area service add "-C" after the model codes.

2. Other sizes,materials and types are available upon request. For special requirements, please contact us.

Performance Curves



OUTLET PRESSURE(PSI)

- Flow vs Pressure
- - - Air consumption