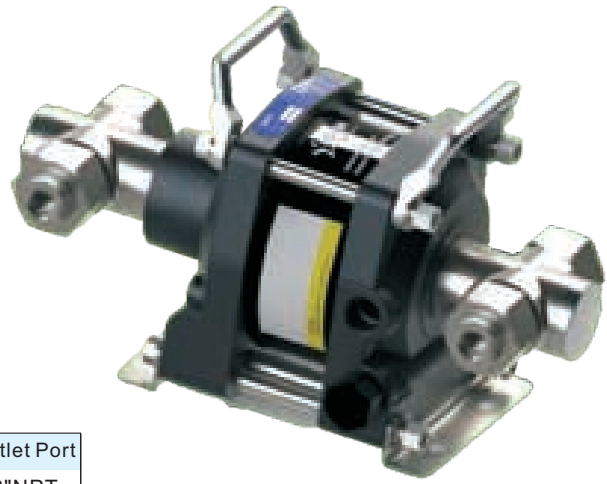


Single Drive Double Acting Features

- ★ Choice of 7 ratios.
- ★ Flows to 29.9 l/min.
- ★ Choice of wetted materials.
- ★ Output pressures to 20,000 psi (1379 bar).
- ★ Drive pressure 3 to 150 psi (0.2 to 10.3 bar).

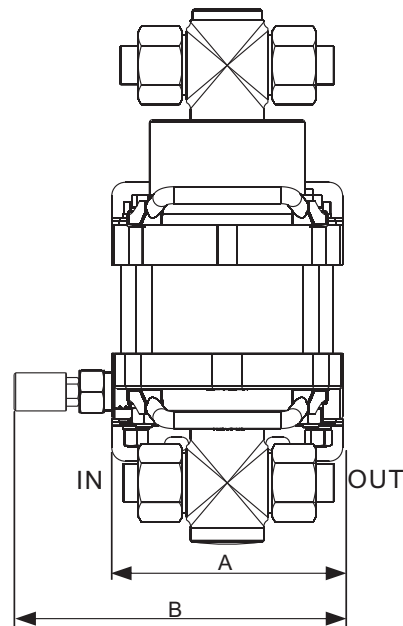
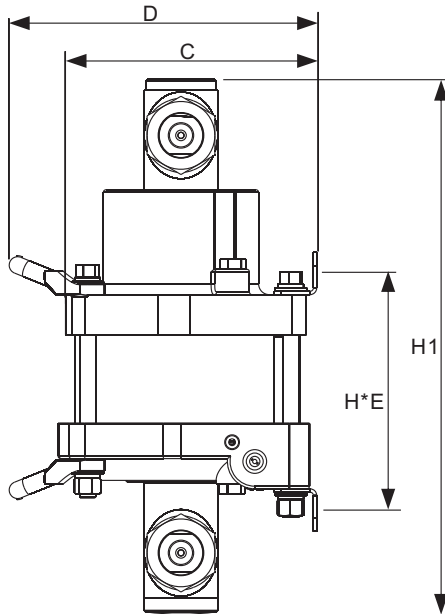


Performance and Specification

Pump Model Code	Max.Out Press.	Dis. /Cycle	Max.Flow	Inlet Port	Outlet Port
AHP06-1D-10	1600psi	133ml	29.9l/min	1"NPT	1/2"NPT
AHP06-1D-15	2400psi	89ml	19.9l/min	1/2"NPT	1/2"NPT
AHP06-1D-25	4000psi	53.6ml	11.9l/min	1/2"NPT	1/2"NPT
AHP06-1D-35	5700psi	38ml	8.6l/min	1/2"NPT	1/2"NPT
AHP06-1D-60	9800psi	22ml	4.9l/min	1/2"NPT	1/2"NPT
AHP06-1D-100	16500psi	13.4ml	3.0l/min	1/2"NPT	3/8"MF
AHP06-1D-150	20000psi	9ml	2.0l/min	1/2"NPT	3/8"MF

MF means female medium pressure connection.

Dimensions



Size A	6.81in.(173mm)	Size H	7.95in.(202mm)
Size B	10.3in.(262mm)	Size H1	15.75in.(400mm)
Size C	7.64in.(194mm)	Size D	9.06in.(230mm)
Size E	3in.(76.2mm)		

EXPLAIN

- All model code listed are standard.
 For angle pumps add "A" after the model codes.
 For Quick repair pumps add "-Q" after the model codes.
 For pumps with relief valve add "-R" after the model codes.
 For pumps with Viton seals add "-V" after the model codes.
 For pumps with Pressure switch valve add "-P" after the model codes.
 For cold area service add "-C" after the model codes.
- Other sizes, materials and types are available upon request. For special requirements, please contact us.

Performance Curves

