

Single Drive Single Acting

Features

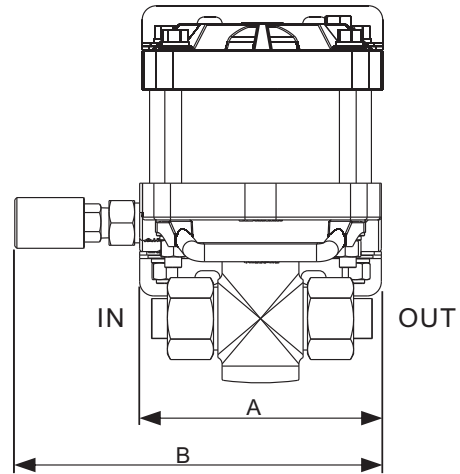
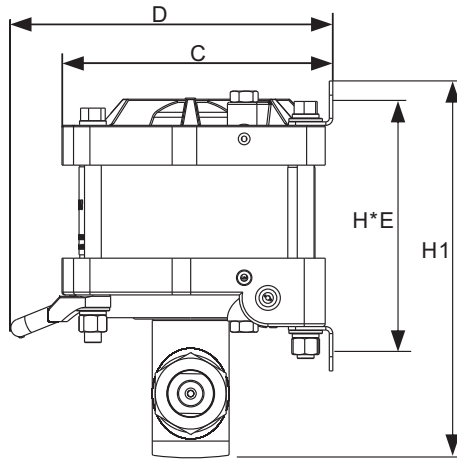
- ★ Choice of 10 ratios.
- ★ Flows to 66.4 l/min.
- ★ Choice of wetted materials.
- ★ Output pressures to 60,000 psi (4137 bar).
- ★ Drive pressure 3 to 150 psi (0.2 to 10.3 bar).
solvents, mild chemicals, liquefied gases.

Performance and Specification

Pump Model Code	Max. Out Press.	Dis. /Cycle	Max. Flow	Inlet Port	Outlet Port
AHP06-1S-10	1600psi	66.4ml	19.9l/min	1"NPT	1/2"NPT
AHP06-1S-15	2400psi	44.3ml	13.3l/min	1"NPT	1/2"NPT
AHP06-1S-25	4000psi	26.6ml	8l/min	1/2"NPT	1/2"NPT
AHP06-1S-35	5700psi	19.0ml	5.7l/min	1/2"NPT	1/2"NPT
AHP06-1S-60	10000psi	11.0ml	3.3l/min	1/2"NPT	1/2"NPT
AHP06-1S-100	15000psi	6.7ml	2l/min	1/2"NPT	1/2"NPT
AHP06-1S-150	22500psi	4.5ml	1.3l/min	1/2"NPT	1/4"HF
AHP06-1S-225	33750psi	3.0ml	0.7l/min	1/2"NPT	1/4"HF
AHP06-1S-300	45000psi	2.3ml	0.5l/min	1/2"NPT	1/4"HF
AHP06-1S-450	60000psi	1.5ml	0.3l/min	1/2"NPT	1/4"HF

HF means female high pressure connection.

Dimensions



Size A	6.81in.(173mm)	Size H	7.15in.(181.5mm)
Size B	10.3in.(262mm)	Size H1	10.6in.(269.8mm)
Size C	7.64in.(194mm)	Size D	9.06in.(230mm)
Size E	3in.(76.2mm)		

EXPLAIN

1. All model code listed are standard.

For angle pumps add "A" after the model codes.

For Quick repair pumps add "-Q" after the model codes.

For pumps with relief valve add "-R" after the model codes.

For pumps with Viton seals add "-V" after the model codes.

For pumps with Pressure switch valve add "-P" after the model codes.

For cold area service add "-C" after the model codes.

2. Other sizes, materials and types are available upon request. For special requirements, please contact us.



Performance Curves

