

## Double Drive Single Acting

### Features

- ★ Choice of 9 ratios.
- ★ Flows to 19.9 l/min.
- ★ Choice of wetted materials.
- ★ Output pressures to 75,000 psi (5171 bar).
- ★ Drive pressure 3 to 150 psi (0.2 to 10.3 bar).

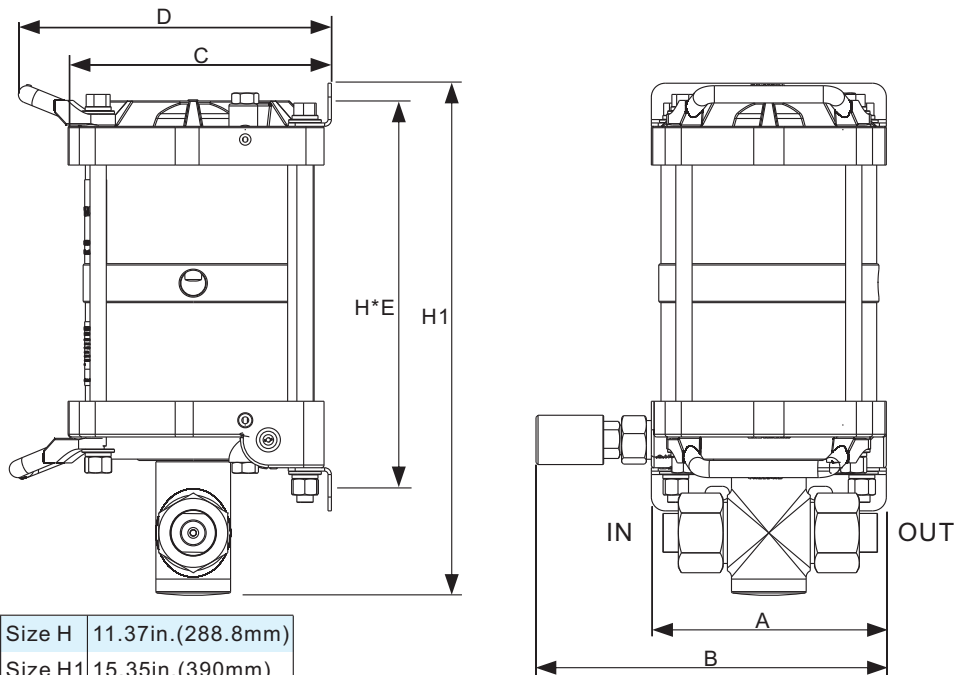


### Performance and Specification

Pump Model Code	Max.Out Press.	Dis. /Cycle	Max.Flow	Inlet Port	Outlet Port
AHP06-2S-20	3200psi	66.4ml	19.9l/min	1"NPT	1/2"NPT
AHP06-2S-30	4800psi	44.3ml	13.3l/min	1"NPT	1/2"NPT
AHP06-2S-50	5000psi	26.6ml	8l/min	1/2"NPT	1/2"NPT
AHP06-2S-70	11000psi	19.0ml	5.7l/min	1/2"NPT	1/2"NPT
AHP06-2S-120	19000psi	11.0ml	3.3l/min	1/2"NPT	1/2"NPT
AHP06-2S-200	33000psi	6.7ml	1.5l/min	1/2"NPT	1/4"HF
AHP06-2S-300	50000psi	4.5ml	1l/min	1/2"NPT	1/4"HF
AHP06-2S-450	70000psi	3.0ml	0.7l/min	1/2"NPT	1/4"SF
AHP06-2S-600	75000psi	2.3ml	0.5l/min	1/2"NPT	1/4"SF

HF means female high pressure connection.  
SF means female super high pressure connection.

### Dimensions



Size A	6.81in.(173mm)	Size H	11.37in.(288.8mm)
Size B	10.3in.(262mm)	Size H1	15.35in.(390mm)
Size C	7.64in.(194mm)	Size D	9.06in.(230mm)
Size E	3in.(76.2mm)		

#### EXPLAIN

1. All model code listed are standard.  
For angle pumps add "A" after the model codes.  
For Quick repair pumps add "-Q" after the model codes.  
For pumps with relief valve add "-R" after the model codes.  
For pumps with Viton seals add "-V" after the model codes.  
For pumps with Pressure switch valve add "-P" after the model codes.  
For cold area service add "-C" after the model codes.
2. Other sizes, materials and types are available upon request. For special requirements, please contact us.

# Performance Curves

