

Single Drive Double Acting Features

- ★ Choice of 4 ratios.
- ★ Flows to 42 l/min.
- ★ Choice of wetted materials.
- ★ Can be quickly repaired.
- ★ Output pressures to 225,00 psi (1551 bar).
- ★ Drive pressure 3 to 125 psi (0.2 to 8.6 bar).
- ★ All hydraulic fluids, water (plain or DI), solvents liquefied gases.



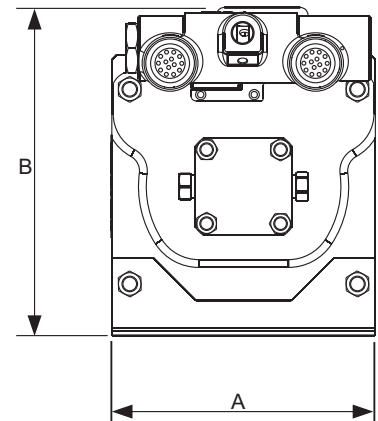
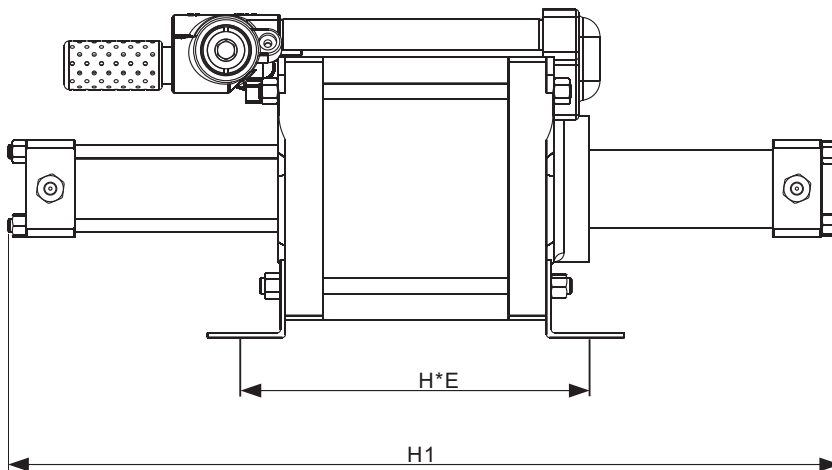
Performance and Specification

| Pump Model Code | Max.Out Press. | Dis. /Cycle | Max.Flow | Inlet Port | Outlet Port |
|-----------------|----------------|-------------|-----------|------------|-------------|
| AHP10-1D-30 | 3750psi | 323ml | 42l/min | 1"NPT | 3/4"NPT |
| AHP10-1D-60 | 7500psi | 160.8ml | 20.9l/min | 1"NPT | 1/2"NPT |
| AHP10-1D-120 | 15000psi | 78.8ml | 10.2l/min | 1"NPT | 9/16"MF |
| AHP10-1D-180 | 22500psi | 48.6ml | 6.3l/min | 1"NPT | 9/16"HF |

MF means female medium pressure connection.

HF means female high pressure connection.

Dimensions



| | | | |
|--------|-----------------|---------|-----------------|
| Size A | 10.63in.(270mm) | Size H | 23.62in.(600mm) |
| Size B | 13.39in.(340mm) | Size H1 | 19.69in.(500mm) |
| Size E | 7.87in.(200mm) | | |

EXPLAIN

1. All model code listed are standard.

For pumps with relief valve add "-R" after the model codes.

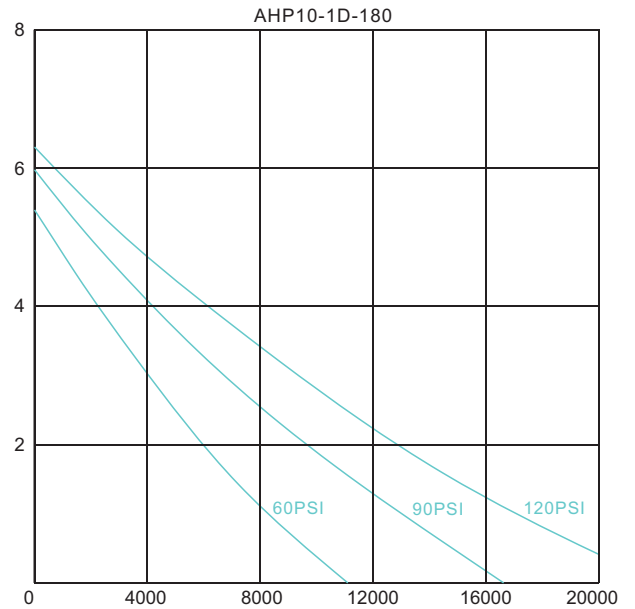
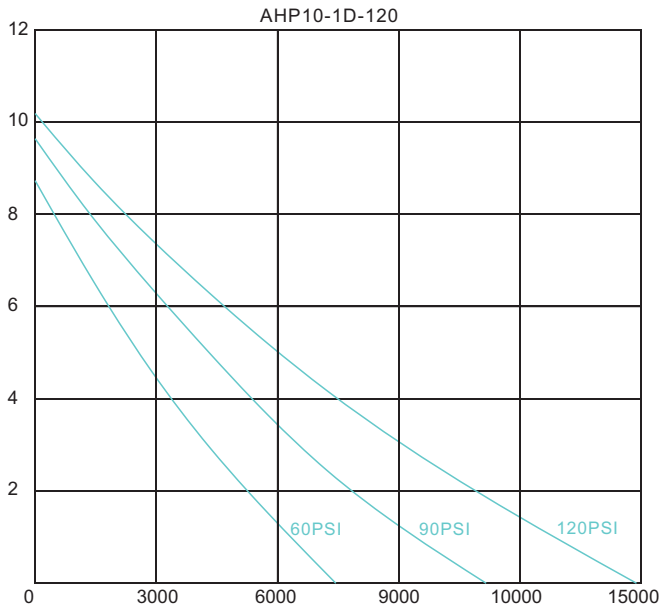
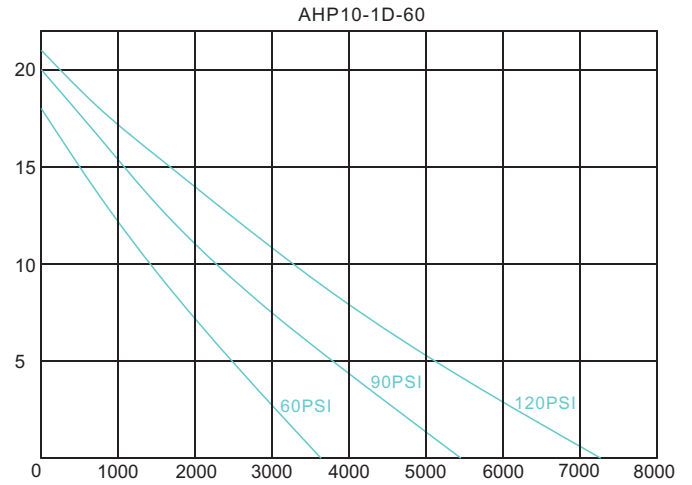
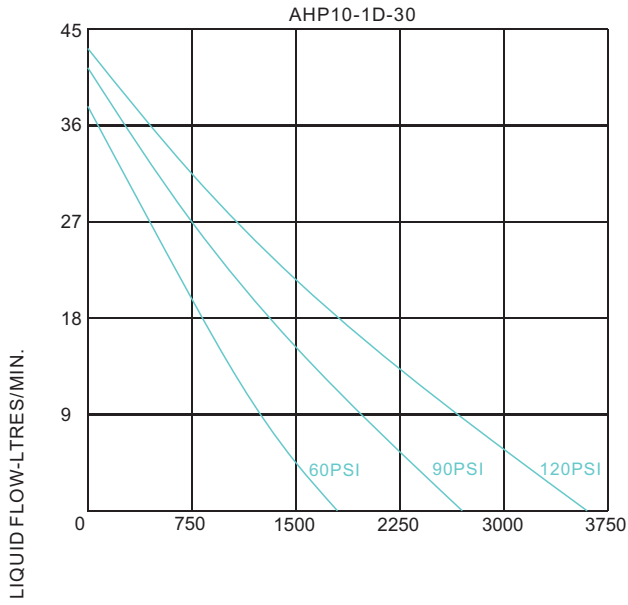
For pumps with Viton seals add "-V" after the model codes.

For pumps with Pressure switch valve add "-P" after the model codes.

For cold area service add "-C" after the model codes.

2. Other sizes, materials and types are available upon request. For special requirements, please contact us.

Performance Curves



OUTLET PRESSURE(PSI)