

Double Drive Double Acting Features

- ★ Choice of 4 ratios.
- ★ Flows to 25.8 l/min.
- ★ Choice of wetted materials.
- ★ Can be quickly repaired.
- ★ Output pressures to 450,00 psi (3103 bar).
- ★ Drive pressure 3 to 125 psi (0.2 to 8.9 bar).
- ★ All hydraulic fluids, water (plain or DI), solvents liquefied gases.



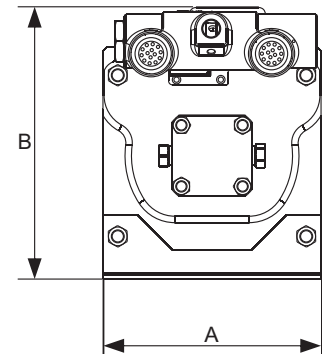
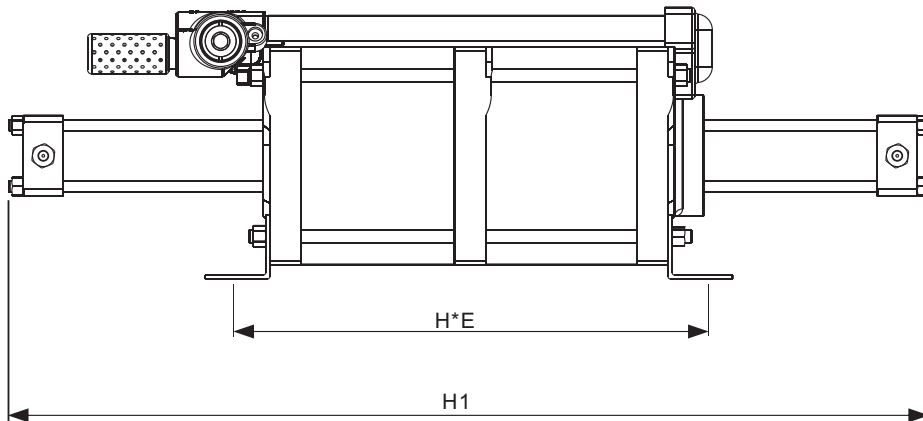
Performance and Specification

Pump Model Code	Max.Out Press.	Dis. /Cycle	Max.Flow	Inlet Port	Outlet Port
AHP10-2D-60	7500psi	323ml	25.8l/min	1"NPT	1/2"NPT
AHP10-2D-120	15000psi	160.8ml	12.8l/min	1"NPT	9/16"MF
AHP10-2D-240	30000psi	78.8ml	6.3l/min	1"NPT	9/16"HF
AHP10-2D-360	45000psi	48.6ml	3.9l/min	1"NPT	9/16"HF

MF means female medium pressure connection.

HF means female high pressure connection.

Dimensions

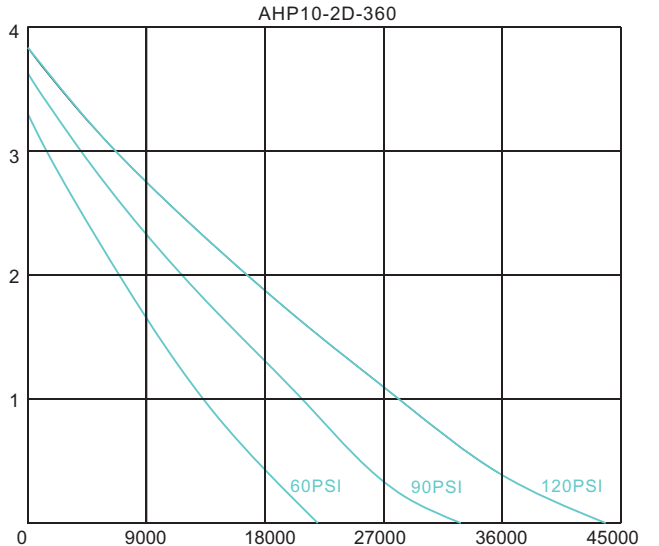
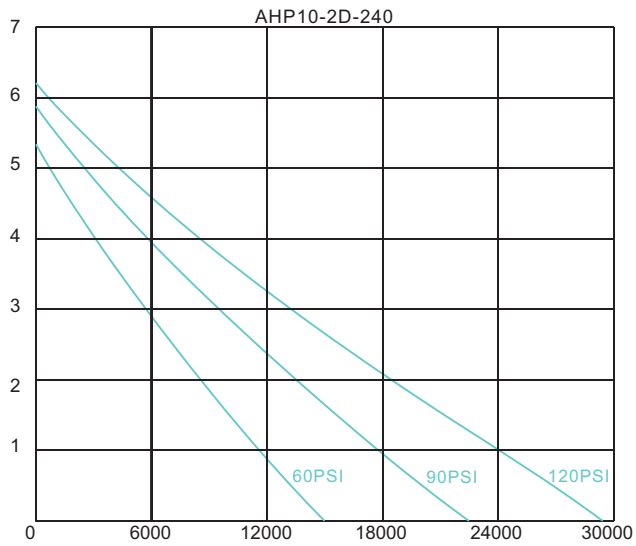
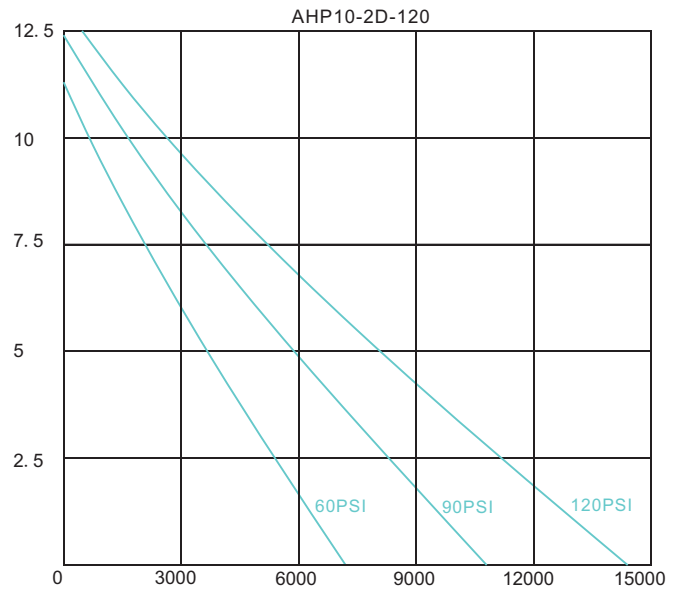
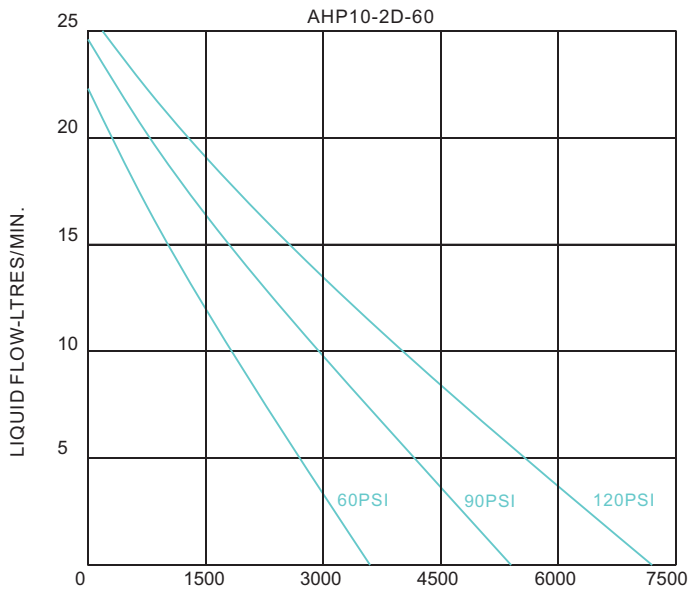


Size A	10.63in.(270mm)	Size H	49.21in.(1250mm)
Size B	13.39in.(340mm)	Size H1	26.77in.(680mm)
Size E	7.87in.(200mm)		

EXPLAIN

1. All model code listed are standard.
For pumps with relief valve add "-R" after the model codes.
For pumps with Viton seals add "-V" after the model codes.
For pumps with Pressure switch valve add "-P" after the model codes.
For cold area service add "-C" after the model codes.
2. Other sizes, materials and types are available upon request.
For special requirements, please contact us.

Performance Curves



OUTLET PRESSURE(PSI)