



ADVANCED FLUID
MANAGEMENT SOLUTIONS

RAASM S.p.a.

Via Marangoni 33, 36022

S. Zeno di Cassola (VI) Italy

Tel. +39 0424 570891

info@raasm.com

P/N 8540.412

Fixed hose reel s. 540, for oil and similar, 100 bar, with black rubber hose 20 m, - \varnothing 3/4"

AREAS OF USE

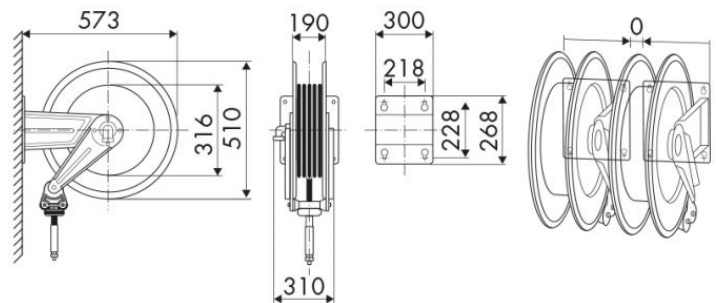
Aeronautics, Agriculture, Automotive, Building and road construction, Manufacturing industry, Mining industry, Railway transport

FEATURES

Pressure	100 bar
Compatible fluids	oils and similar products
Swivel joint	zinc plated steel
Seals	polyurethane
Characteristic	fixed
Material	painted steel
Couplings	zinc plated steel
Hose	p/n 997.3320
\varnothing and hose length	\varnothing 3/4" - 20 m
Inlet	G 1" (f)
Outlet	G 3/4" (m)
Reel flow path	zinc plated steel



OVERALL DIMENSIONS (mm)



Delta Industrial Australia Pty Ltd

E: sales@deltaindustrial.com.au

W: www.deltaindustrial.com.au

P: +61 447 515 126

DELTA
INDUSTRIAL