



# TTI

Service Quality Innovation

## Rebuildable Stainless Steel PowerBreather™

Protects lubricants and equipment from moisture and particulate intrusion.

Extends service cycles and equipment life in high-flow applications



### 304 SS Construction

Priced below competitors  
carbon steel units.

TTI believes carbon steel  
should be eliminated in high  
humidity environments.

### 20% More Microglass Media

Equating to more dirt holding  
capacity.

### 20% More Moisture Holding

Capacity for the  
PowerBreather Gel compared  
to competitors and proven in  
head-to-head trials.

### Fully Compatible

With DES-CASE  
rebuildable breathers.

Delta Industrial Australia Pty Ltd

E: [sales@deltaindustrial.com.au](mailto:sales@deltaindustrial.com.au)

W: [www.deltaindustrial.com.au](http://www.deltaindustrial.com.au)

P: +61 447 515 126

# DELTA INDUSTRIAL



TTI

# Rebuildable Stainless Steel PowerBreather™

Service Quality Innovation

The TTI Rebuildable PowerBreather™ offers the ability to remove both particulate and moisture in high-flow and extreme humidity environments.

While in service, the PowerBreather™ eliminates moisture and particulate intrusion into the system. During shutdown, the PowerBreather™ silica gel attracts moisture by actively drying the system.

## Rebuild Kit

### Replacement Filter Cartridge

Pleated microglass filter cartridge captures airborne contaminants to 1 micron absolute.

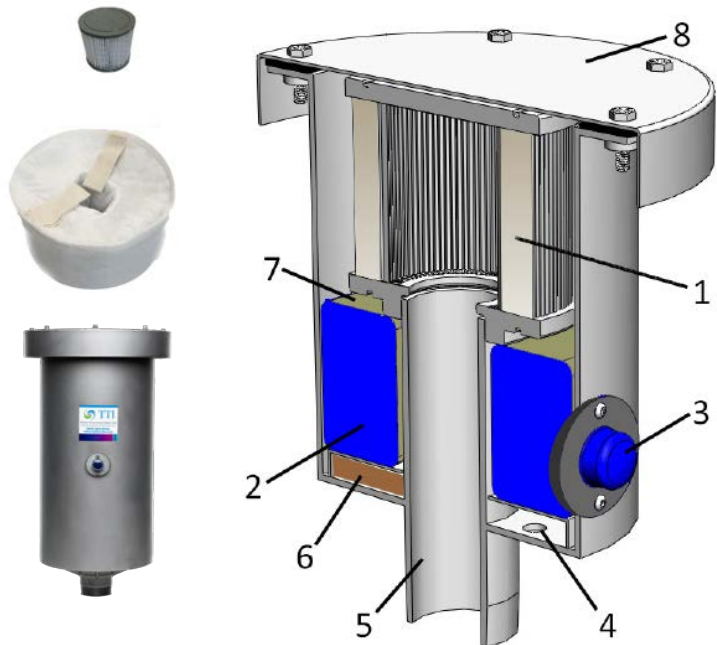
### Desiccant Bag Filter

Polypropylene bag has handles for easy removal and replacement.

### Sight Glass Indicator

Silica gel changes color from blue to pink when the unit requires rebuilding.

**Note:** Rebuild kit also includes lid gasket, sight glass gasket and oil dispersing foam pad.



## Rebuildable PowerBreather™ Components

### 1-Pleated Filter Cartridge

Pleated microglass filter cartridge captures airborne contaminants to 1 micron absolute.

### 2-Desiccant

Silica gel strips moisture from incoming air.

### 3-Sight Glass Indicator

Silica gel changes color from blue to pink when the unit requires rebuilding.

### 4-Air Vents

Removable stickers keep breather inactive until installation.

### 5-Integrated Standpipe

Open-flow construction provides negligible

resistance to air flow and allows oil mist to coalesce and drain back into the reservoir.

### 6-Foam Pad

Polymeric foam filter pad captures large particulate, attracts and absorbs oil, and disperses incoming air evenly across the filter cartridge and desiccant media.

### 7-Easy to Replace Desiccant Bag

Polypropylene bag has handles for easy removal.

### 8-Rugged Housing

Robust 304 SS construction eliminates chance of corrosion in high humidity environments.

# Dimensions

Model	Height inches/cm	Width inches/cm	Approx. Dry Weight lbs/kg	Amount of Desiccant lbs/kg	Max Absorption Capacity gal/L	Max. Air Flow Rate cfm	Operating Temperature	Connect Size
TT-RS-3	11.5/29.2	10.1/25.7	16/7.26	3/1.36	0.14/0.54	85 @ 0.5psid	-20-220°F/ -29-104°C	2"
TT-RS-5	13.75/34.9	10.1/25.7	20/9.07	5/2.27	0.24/0.9	85 @ 0.5psid	-20-220°F/ -29-104°C	2"
TT-RS-9	18.25/45.4	10.1/25.7	27/12.25	9/4.08	0.43/1.62	80 @ 0.5psid	-20-220°F/ -29-104°C	2"
TT-RS-15	19.25/48.9	15.5/39.4	49/22.23	15/6.80	0.71/2.7	205 @ 0.5psid	-20-220°F/ -29-104°C	3"
TT-RS-25	22.5/57.1	15.5/39.4	64/29.03	25/11.34	1.19/4.5	140 @ 0.5psid	-20-220°F/ -29-104°C	3"
TT-RS-50	31.25/79.4	15.5/39.4	100/45.36	50/22.68	2.38/9	115 @ 0.5psid	-20-220°F/ -29-104°C	3"
TT-RS-75	39.75/101	15.5/39.4	144/65.32	75/34.02	3.57/13.5	80 @ 0.5psid	-20-220°F/ -29-104°C	3"

All models are available in EU with orange gel and follow the same dimensions. EU codes are the following: TTE-RS-3 | TTE-RS-5 | TTE-RS-9 | TTE-RS-15 | TTE-RS-25 | TTE-RS-50 | TTE-RS-75

# Rebuild Parts & Accessories

(TTI Rebuild Kits can be used in DES-CASE Rebuildable PowerBreather™s)

Model	Description
TT-RS-*-RK	Rebuildable Stainless Steel Breather Kits
TT-RS-*-F1	Rebuildable Stainless Steel Breather Microglass Filter Cartridge
TT-RS-*-D1	Rebuildable Stainless Steel Desiccant Bag
TT-RS-*-SG1	Rebuildable Stainless Steel Breather Sight Glass
TT-RS-*-P1	Rebuildable Stainless Steel Breather Foam Pad Insert
TT-RS-*-G1	Rebuildable Stainless Steel Breather Gasket Seals

**NOTE:** For part codes containing an (\*), substitute the appropriate RS model number. (Example: the part code for a rebuildable stainless steel breather kit for the TT-RS-75 would be TT-RS-75-RK.).

All model kits are available in EU, for the model number add "E" after TT. Example: the part code for a EU rebuildable stainless steel breather kit for the TT-RS-75-RK would be TTE-RS-75-RK.

TTI recommends use of a pressure relief valve on any tank or storage system.

# Features

- 304 Stainless Steel housing
- Easy to replace desiccant bags remove moisture from incoming air
- Pleated filter removes particles to 1-micron absolute
- Eliminates rust forming condensation
- Prevents water contaminated fluid and sludge deposits
- Reduces wear and tear on equipment prolonging life

# Materials

## Housing:

304 Stainless Steel

## Moisture Absorbing Media:

Silica Gel

## Filter Media:

Microglass, Polyurethane

## Gasket/Seal:

Buna-N

