



TTI

Service Quality Innovation

TTHH-200 Series PowerGuard™ Housing

TTI's PowerGuard™ housing line is manufactured in Germany with premium German components and assembled in the USA.



Series 200 Duplex Housing

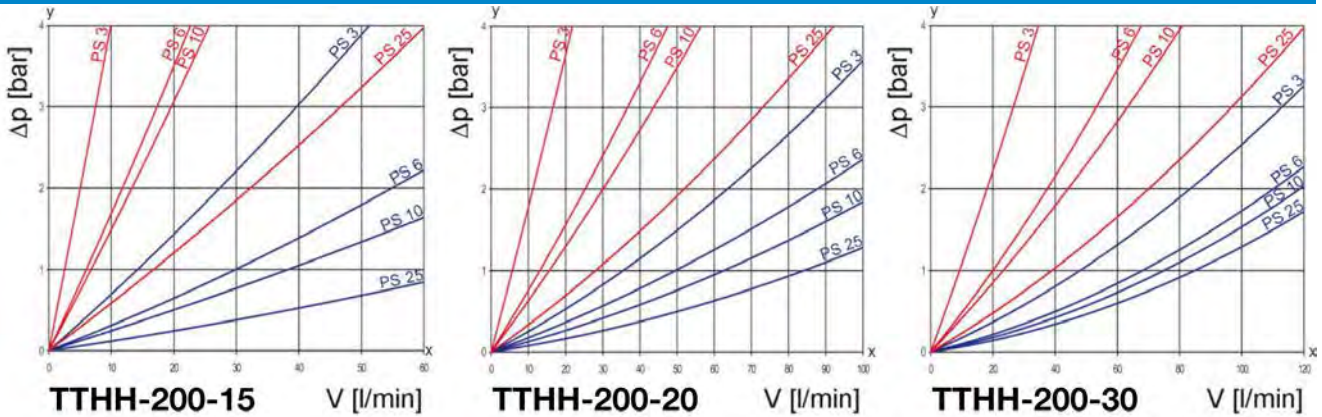
TTI's PowerGuard™ housing line is manufactured in Germany with premium German components and assembled in the USA. All TTI Housings are available standard with a bypass valve, visual indicator, SAE connections and produced to be highly serviceable. The TTI housing line provides the versatility for intermittent or continual flow operations, while offering a range of flow and pressure ratings compatible with inline pressurized systems and return line filtration.



Specifications

- Nominal working pressure - 900 PSI
- Visual indicator for element change out standard - 32 PSI
- Automatic bypass valve standard - 50 PSI Bypass Valve
- Operating temperature: -22°F to 248°F

Flow Characteristics



Fluid Viscosity

190 mm²/s 33 mm²/s

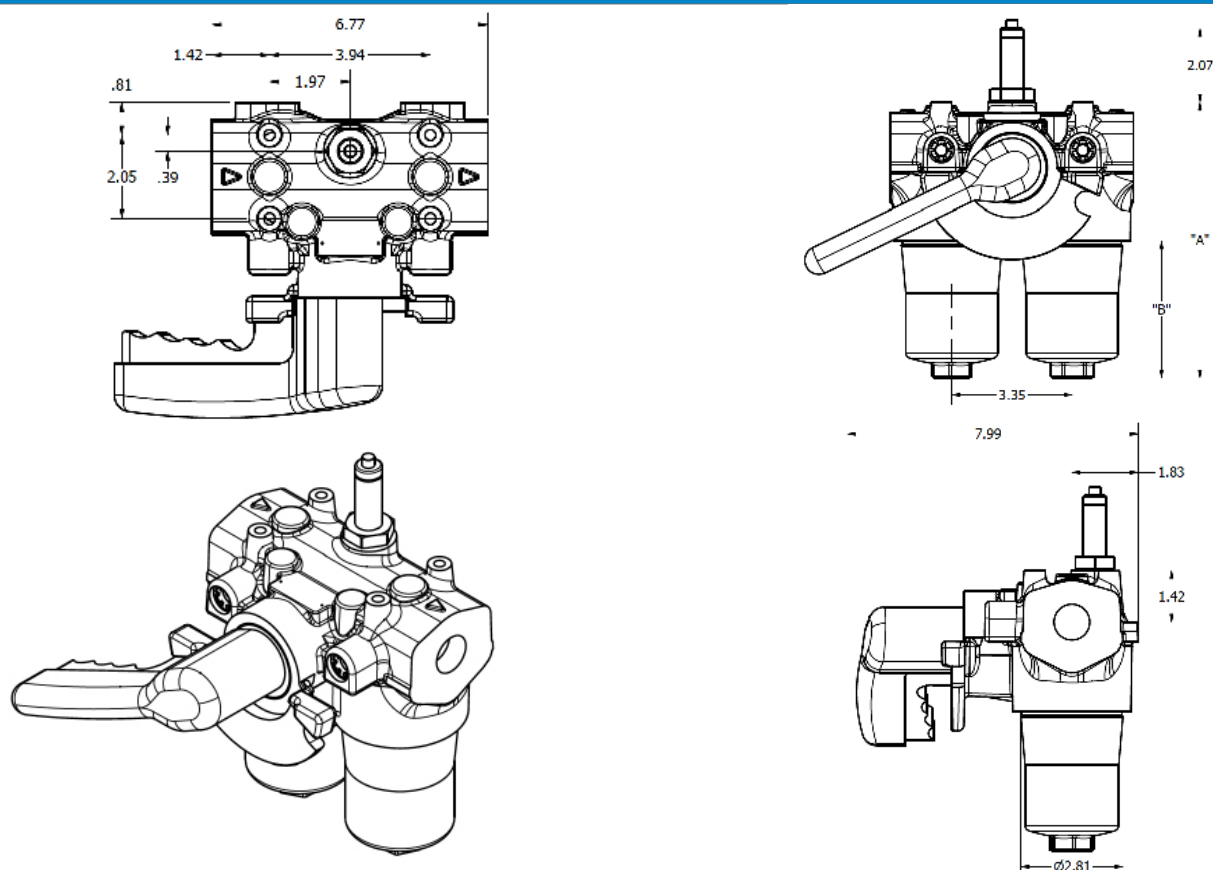
Series 200 Duplex Housing

Top Applications

- Hydraulic Systems - Hydraulic Oil
- Gearbox Lube Systems - Gear Oil
- Gas Turbines - Turbine Oil
- Machine Coolant

Top Industries

- Power Generation
- Pulp and Paper
- Steel Mills
- Mining



Dimensions in Inches

PART NUMBER*	"A" Height	"B" Bowl Length	INLET OUTLET
TTHH-200-15-VBB	8.0	4.1	SAE-16
TTHH-200-20-VBB	10.3	6.4	SAE-16
TTHH-200-30-VBB	13.8	10.0	SAE-16

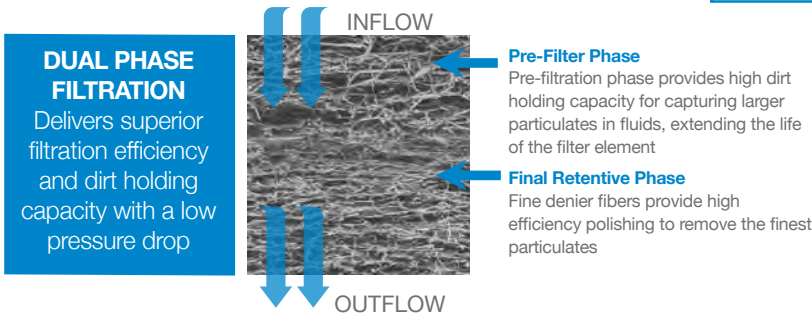
3 Material Ordering Options:
 V/E/X : Visual / Electrical / None
 B / X: Bypass / None
 B / V: Buna / Viton

For example:
 TTHH-200-15-VBB: Series 200 Housing, 15gpm nominal flow rate, Visual Indicator, Bypass Valve, Buna-N Seals

TTHH-200 Housing Utilizes TTI's TT1018 Filter Elements; Ordering Information on Next Page

TT1018 Series

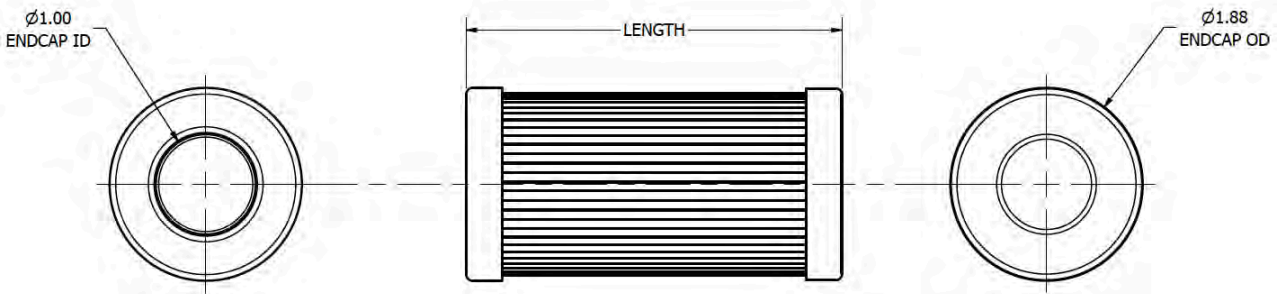
TTI's PowerGuard™ Filter line is produced in the USA using USA and German materials. TTI has leveraged 58 years of filter manufacturing expertise of FG Industrial Filtration (Formerly Mahle) to deliver the PowerGuard™ product line to the North American marketplace. TTI's Dual Phase Microglass media provides world class filtration performance. The Dual Phase technology provides Beta 1000 efficiencies with a built-in pre-filter layer to extend filter life and reduce initial pressure drops.



PERFORMANCE

- 290 PSID collapse pressure
- 50 PSID change out recommended
- 250°F (121°C) maximum operating temperature

Dimensions



Part Number Builder

TTI PN	-	Length (inches)	-	Micron Rating (µm)	Media Type	
TT1018		15 = 3.68		1	74*	(Omit) = Dual Phase Microglass <i>Standard option B1000, available in 1, 3, 6, 10, 25µm</i>
		20 = 6.73		3	149*	SD = Static Dissipative <i>Viton seals only, available in 1, 3, 6, 10, 25µm</i>
		30 = 9.73		6	*W = Stainless Steel Wire Mesh <i>Only available in nominally rated 25, 74, 149µm</i>	
				10		
				25		

PART NUMBER EXAMPLE: TT1018-3-3V = TT1018 (3.68 length, 3 micron, viton seal type)