

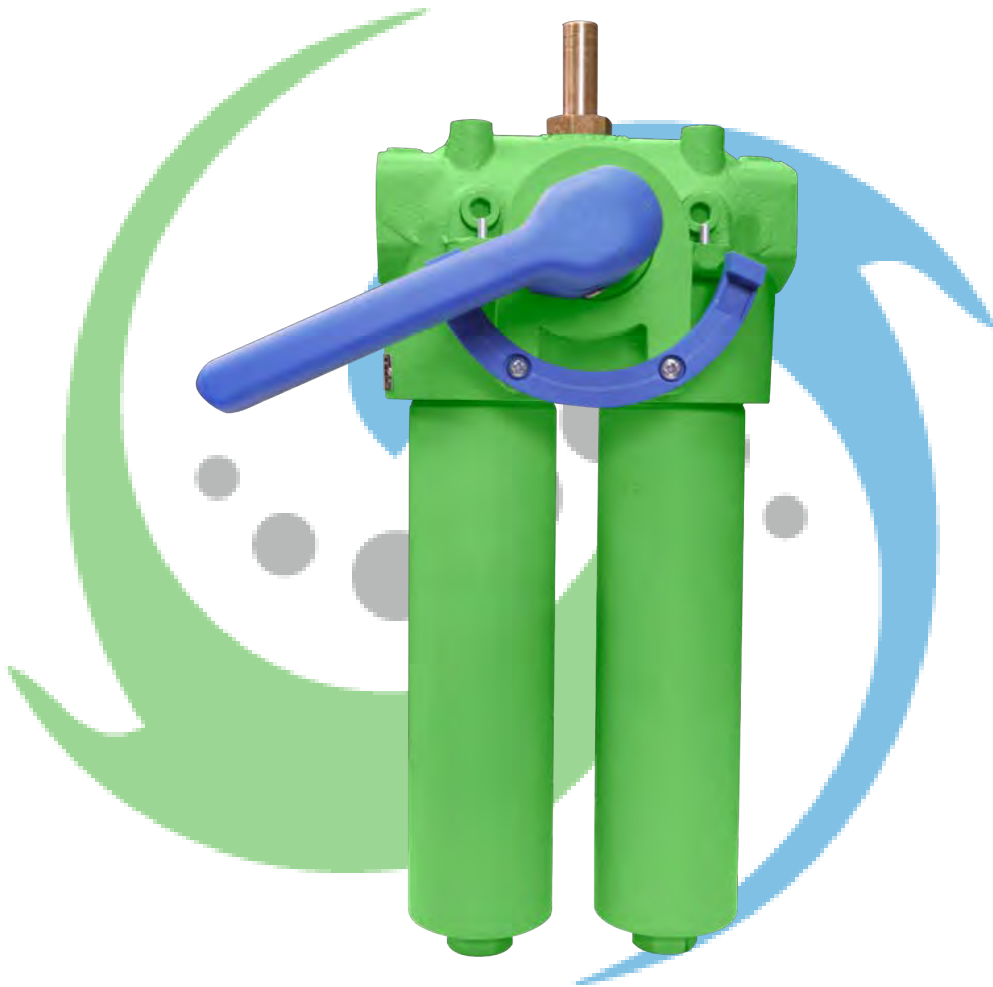


# TTI

Service Quality Innovation

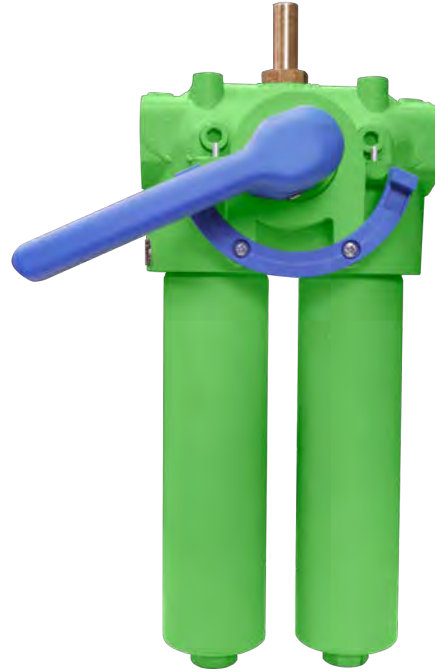
## TTHH-220 Series PowerGuard™ Housing

TTI's PowerGuard™ housing line is manufactured in Germany with premium German components and assembled in the USA.



## Series 220 Duplex Housing

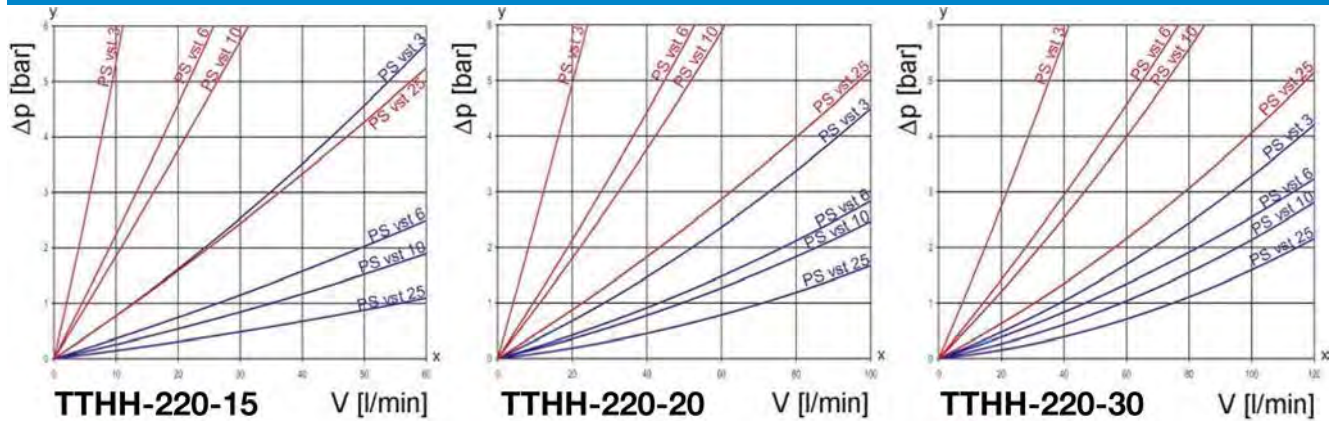
TTI's PowerGuard™ housing line is manufactured in Germany with premium German components and assembled in the USA. All TTI Housings are available standard with a bypass valve, visual indicator, SAE connections and produced to be highly serviceable. The TTI housing line provides the versatility for intermittent or continual flow operations, while offering a range of flow and pressure ratings compatible with inline pressurized systems and return line filtration.



### Specifications

- Nominal working pressure - 4500 PSI
- Visual indicator for element change out standard - 72 PSI
- Automatic bypass valve standard - 101 PSI Bypass Valve
- Operating temperature: -22°F to 248°F

### Flow Characteristics



### Fluid Viscosity

190 mm<sup>2</sup>/s    33 mm<sup>2</sup>/s

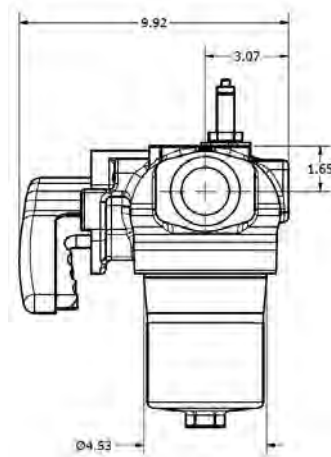
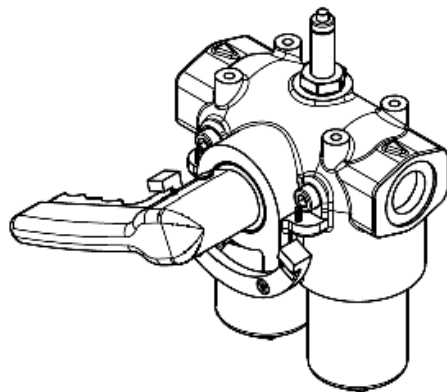
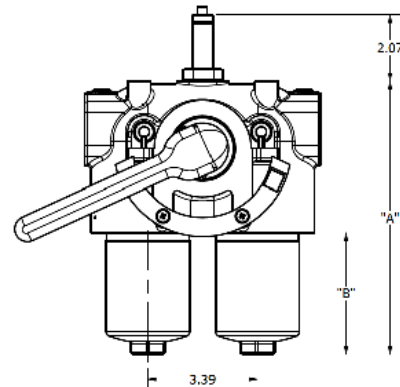
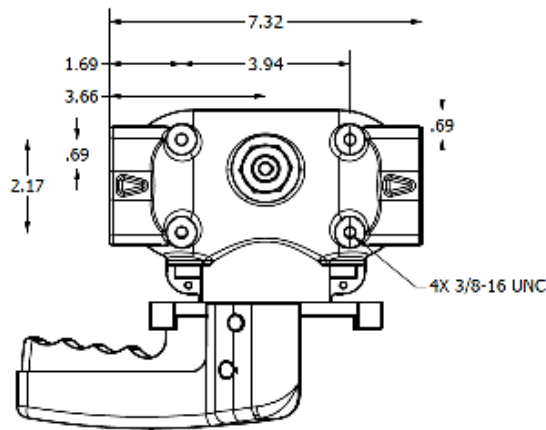
# Series 220 Duplex Housing

## Top Applications

- Hydraulic Systems - Hydraulic Oil
- Gearbox Lube Systems - Gear Oil
- Gas Turbines - Turbine Oil
- Machine Coolant

## Top Industries

- Power Generation
- Pulp and Paper
- Steel Mills
- Mining



## Dimensions in Inches

PART NUMBER*	"A" Height	"B" Bowl Length	INLET OUTLET
TTHH-220-15-VBB	8.6	3.9	SAE-16
TTHH-220-20-VBB	11.6	6.9	SAE-16
TTHH-220-30-VBB	14.6	9.9	SAE-16

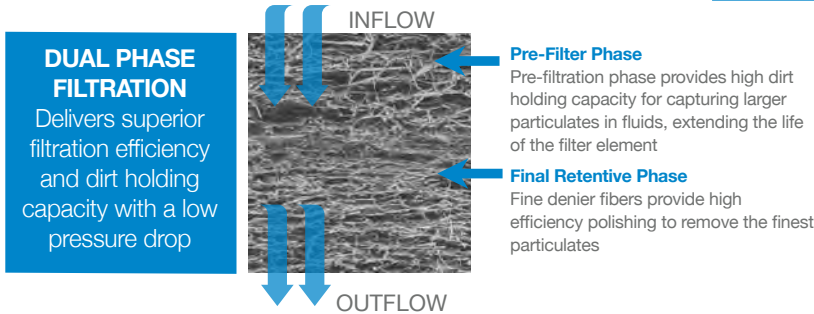
3 Material Ordering Options:  
 V/E/X : Visual / Electrical / None  
 B / X: Bypass / None  
 B / V: Buna / Viton

For example:  
 TTHH-220-15-VBB: Series 200 Housing, 15gpm nominal flow rate, Visual Indicator, Bypass Valve, Buna-N Seals

TTHH-220 Housing Utilizes TTI's TT1018 Filter Elements; Ordering Information on Next Page

## TT1018 Series

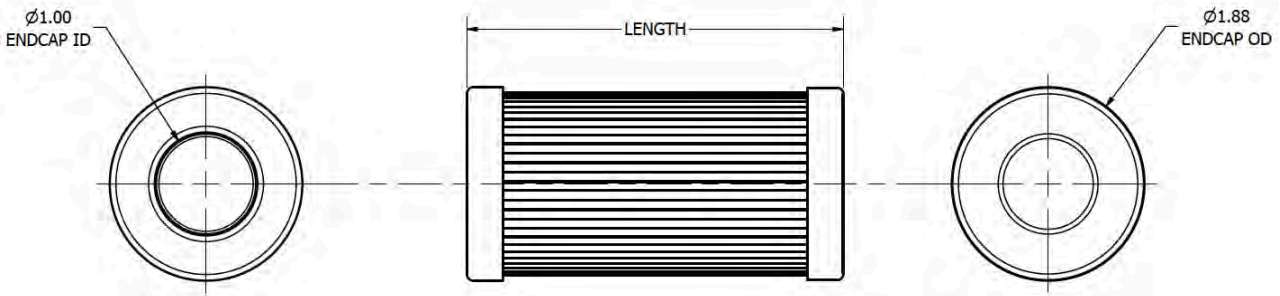
TTI's PowerGuard™ Filter line is produced in the USA using USA and German materials. TTI has leveraged 58 years of filter manufacturing expertise of FG Industrial Filtration (Formerly Mahle) to deliver the PowerGuard™ product line to the North American marketplace. TTI's Dual Phase Microglass media provides world class filtration performance. The Dual Phase technology provides Beta 1000 efficiencies with a built-in pre-filter layer to extend filter life and reduce initial pressure drops.



### PERFORMANCE

- 290 PSID collapse pressure
- 50 PSID change out recommended
- 250°F (121°C) maximum operating temperature

### Dimensions



### Part Number Builder

TTI PN	-	Length (inches)	-	Micron Rating (µm)	Media Type
TT1018	-	15 = 3.68	-	1	(Omit) = Dual Phase Microglass <i>Standard option β1000, available in 1, 3, 6, 10, 25µm</i>
		20 = 6.73		3	
		30 = 9.73		6	SD = Static Dissipative <i>Viton seals only, available in 1, 3, 6, 10, 25µm</i>
				10	
				25	
					*W = Stainless Steel Wire Mesh <i>Only available in nominally rated 25, 74, 149µm</i>

PART NUMBER EXAMPLE: TT1018-3-3V = TT1018 (3.68 length, 3 micron, viton seal type)