

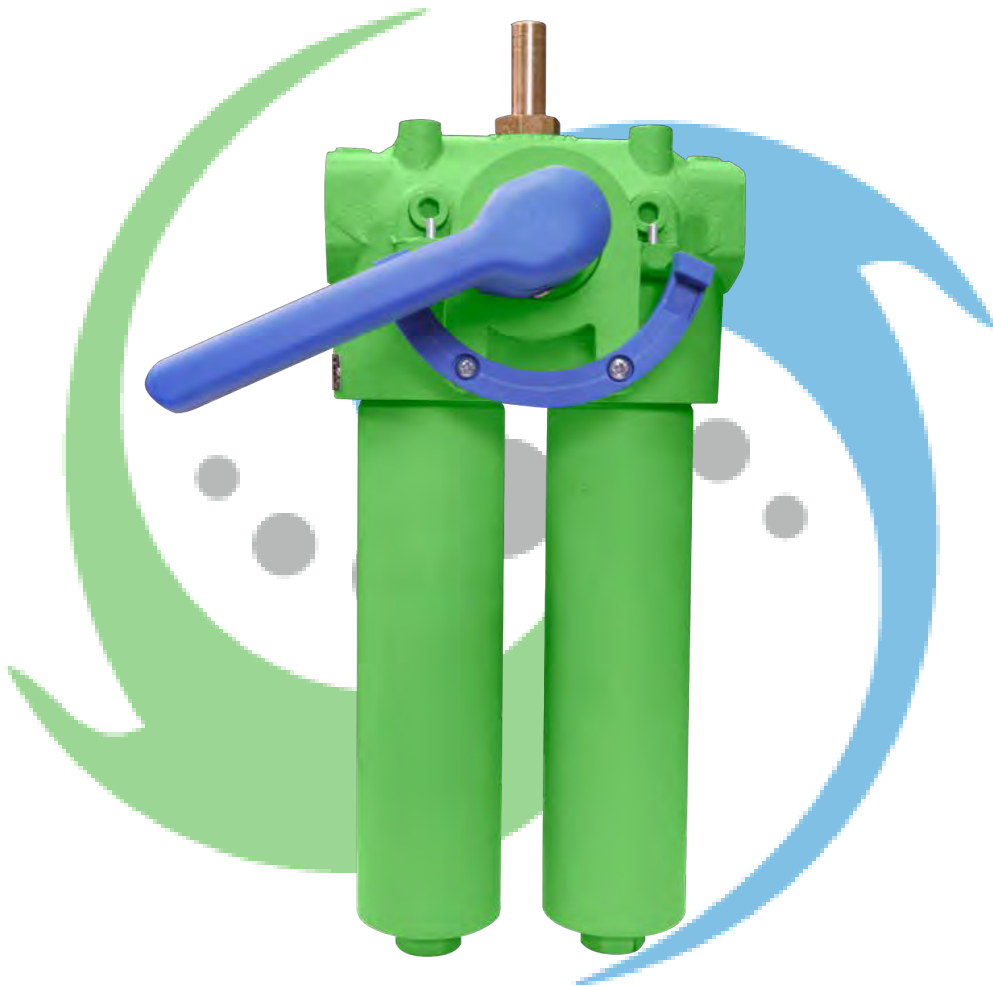


TTI

Service Quality Innovation

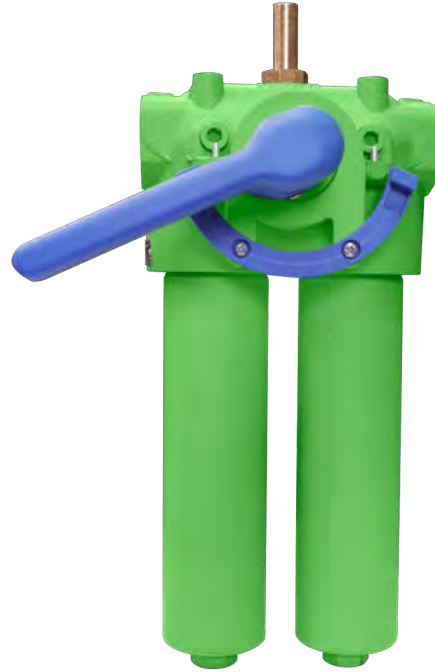
TTHH-230 Series PowerGuard™ Housing

TTI's PowerGuard™ housing line is manufactured in Germany with premium German components and assembled in the USA.



Series 230 Duplex Housing

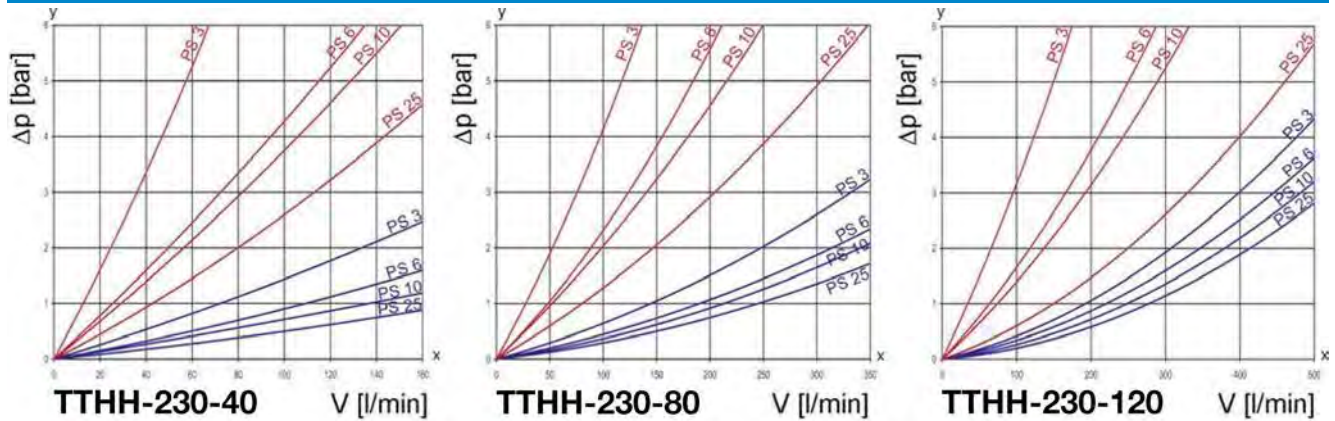
TTI's PowerGuard™ housing line is manufactured in Germany with premium German components and assembled in the USA. All TTI Housings are available standard with a bypass valve, visual indicator, SAE connections and produced to be highly serviceable. The TTI housing line provides the versatility for intermittent or continual flow operations, while offering a range of flow and pressure ratings compatible with inline pressurized systems and return line filtration.



Specifications

- Nominal working pressure - 3000 PSI
- Visual indicator for element change out standard - 72 PSI
- Automatic bypass valve standard - 101 PSI Bypass Valve
- Operating temperature: -22°F to 248°F

Flow Characteristics



Fluid Viscosity

190 mm²/s 33 mm²/s

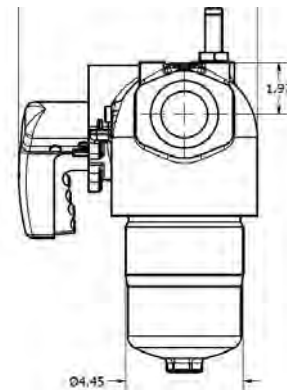
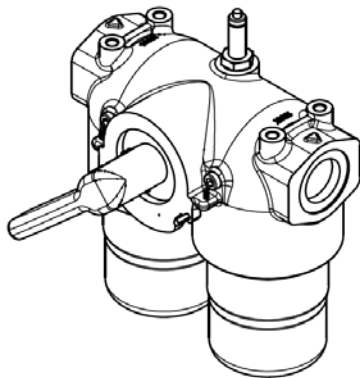
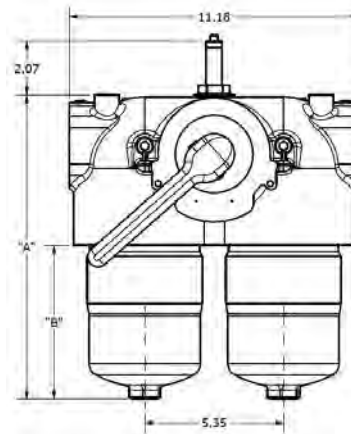
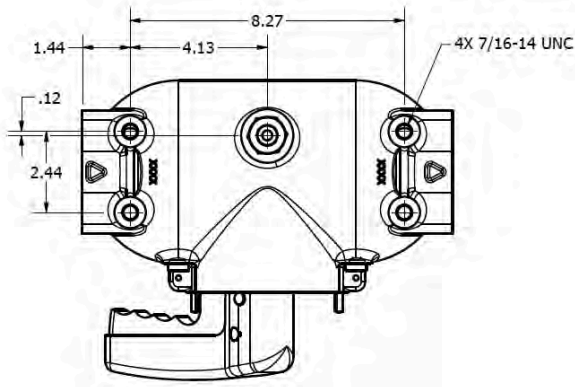
Series 230 Duplex Housing

Top Applications

- Hydraulic Systems - Hydraulic Oil
- Gearbox Lube Systems - Gear Oil
- Gas Turbines - Turbine Oil
- Machine Coolant

Top Industries

- Power Generation
- Pulp and Paper
- Steel Mills
- Mining



Dimensions in Inches

PART NUMBER*	"A" Height	"B" Bowl Length	INLET OUTLET
TTHH-230-40-VBB	11.9	5.9	SAE-24
TTHH-230-80-VBB	16.8	10.8	SAE-24
TTHH-230-120-VBB	21.4	15.4	SAE-24

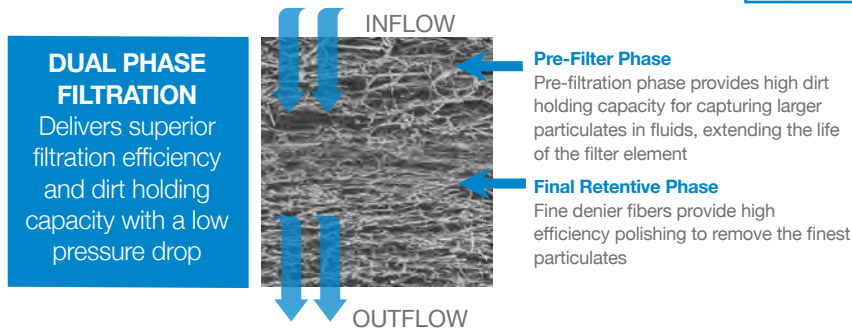
3 Material Ordering Options:
 V/E/X : Visual / Electrical / None
 B / X: Bypass / None
 B / V: Buna / Viton

For example:
 TTHH-230-40-VBB: Series 230 Housing, 40gpm nominal flow rate, Visual Indicator, Bypass Valve, Buna-N Seals

TTHH-230 Housing Utilizes TTI's TT1833 Filter Element for Housings with a Bypass & TT1833HC Filter Elements for Housings With No Bypass; Ordering Information on Next Page

TT1833 Series

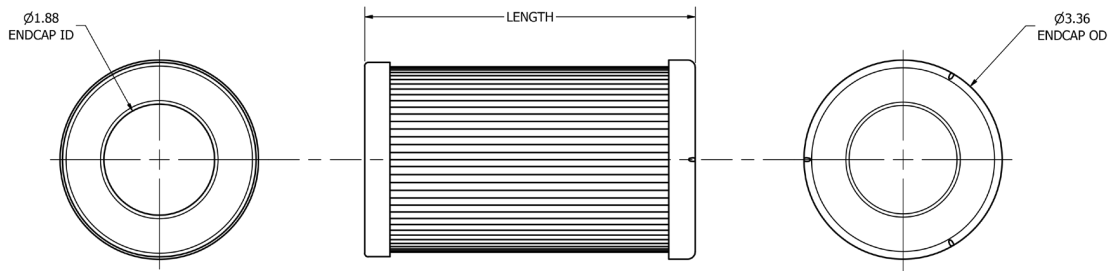
TTI's PowerGuard™ Filter line is produced in the USA using USA and German materials. TTI has leveraged 58 years of filter manufacturing expertise of FG Industrial Filtration (Formerly Mahle) to deliver the PowerGuard™ product line to the North American marketplace. TTI's Dual Phase Microglass media provides world class filtration performance. The Dual Phase technology provides Beta 1000 efficiencies with a built-in pre-filter layer to extend filter life and reduce initial pressure drops.



PERFORMANCE

- 290 PSID collapse pressure
- 50 PSID change out recommended
- 250°F (121°C) maximum operating temperature

Dimensions



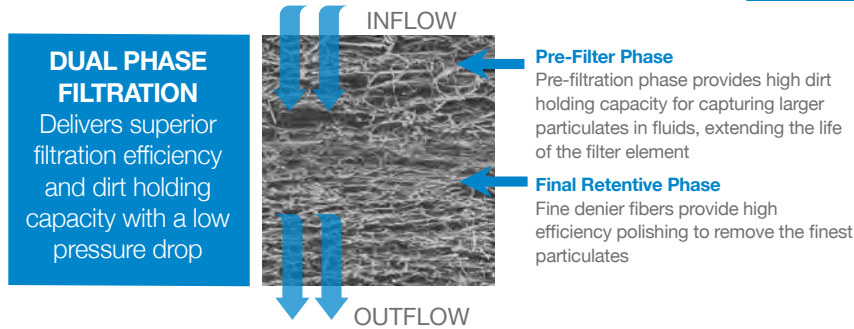
Part Number Builder

TTI PN	-	Length (inches)	-	Micron Rating (µm)	Media Type
TT1833		40 = 5.60		1 40*	(Omit) = Dual Phase Microglass <i>Standard option β1000, available in 1, 3, 6, 10, 25µm</i>
		80 = 10.10		3 74*	WA = Water Absorptive <i>Available in 3, 6, 10, 25µm</i>
		120 = 14.68		6 149*	SD = Static Dissipative <i>Viton seals only, available in 1, 3, 6, 10, 25µm</i>
		160 = 20.10		10	*W = Stainless Steel Wire Mesh <i>Only available in nominally rated 25, 40, 74, 149µm 40µm available in - 80 length only</i>
				25	

PART NUMBER EXAMPLE: TT1833-40-3 = TT1833 (5.60 length, 3 micron)

TT1833HC Series

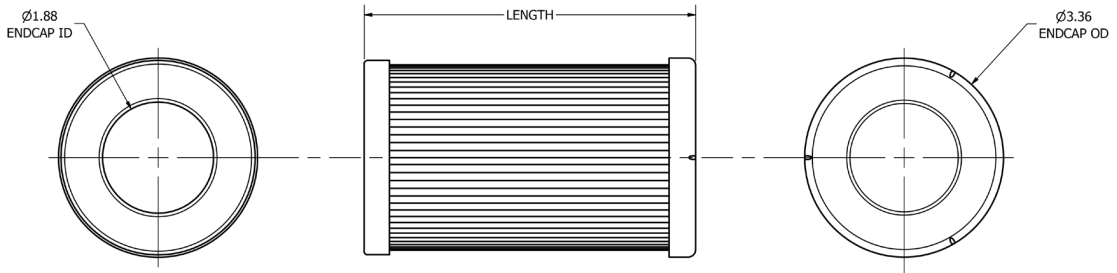
TTI's PowerGuard™ Filter line is produced in the USA using USA and German materials. TTI has leveraged 58 years of filter manufacturing expertise of FG Industrial Filtration (Formerly Mahle) to deliver the PowerGuard™ product line to the North American marketplace. TTI's Dual Phase Microglass media provides world class filtration performance. The Dual Phase technology provides Beta 1000 efficiencies with a built-in pre-filter layer to extend filter life and reduce initial pressure drops.



PERFORMANCE

- 3000 PSID collapse pressure
- 50 PSID change out recommended
- 250°F (121°C) maximum operating temperature

Dimensions



Part Number Builder

TTI PN	-	Length (inches)	-	Micron Rating (μm)	Media Type	
TT1833HC		40 = 5.60		1	40*	(Omit) = Dual Phase Microglass <i>Standard option $\beta 1000$, available in 1, 3, 6, 10, 25μm</i>
		80 = 10.10		3	74*	WA = Water Absorptive <i>Available in 3, 6, 10, 25μm</i>
		120 = 14.68		6	149*	SD = Static Dissipative <i>Viton seals only, available in 1, 3, 6, 10, 25μm</i>
		160 = 20.10		10		*W = Stainless Steel Wire Mesh <i>Only available in nominally rated 25, 40, 74, 149μm 40μm available in - 80 length only</i>
				25		

PART NUMBER EXAMPLE: TT1833HC-40-3 = TT1833HC (5.60 length, 3 micron)